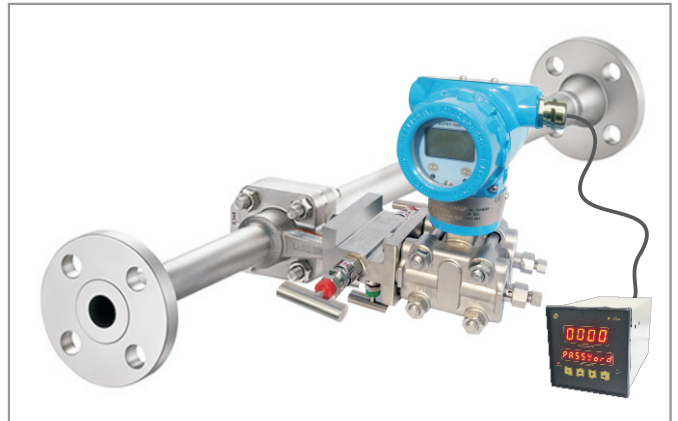


ORIFICE - Integral Assembly

Features

- Designed to be mounted to the Differential Pressure transmitter directly
- Available from 15 NB to 50 NB Size
- Available in Material : C.S. & S.S.
- Eliminate the three measurement inaccuracies recorded in small orifice line installation
- Eliminate impulse tubing, less leakage points, decrease startup time.



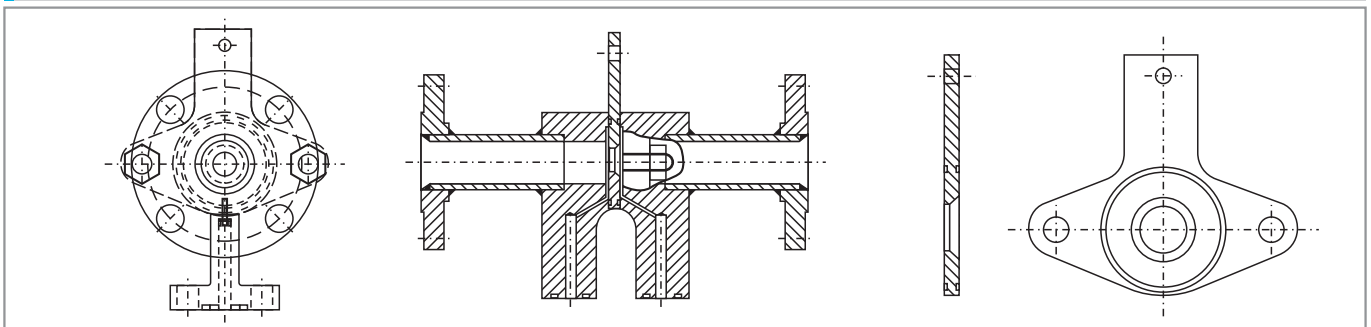
Description

An integral orifice plate assembly is integrally mounted with the measuring instrument. It is compact and complete flow meter device without need of impulse piping. The assembly includes integral orifice plate, bodies, stud, nut & gasket bodies with socket weld or threaded end connections are available IOPA with upstream & downstream piping with flanged ends are also available.

Technical Specifications

Line Size	15 NB to 50 NB (½" – 2" NB)
Accuracy	±2% of F.S.
Material of Plate	AISI 316, AISI 304, Hastalloy C, Monel, Other as per requirement
Material of Body	A351-CF8M, A216-WCB, A105, A182-F316
Material of Gasket	P.T.F.E.

Integral Meter Run Assembly



Note :

- Due to our continuous product revisions, design specification and model numbers are subject to change without notice.
- Accuracy defined at Lab Conditions.
- For other requirement please consult factory.

Applications

Food Industry	Chemical Industry	Atomic Energy	Manufacturing Industry
Automation Industry	Thermal Power Energy	Process Industry	Water Treatment Industry

Ordering Information

Sample Order Code : FT 15 A2 B1 C2 E3 F1 K1 L2 M2 N2 O1 P1 Q2 R1 U1 V2 W2 Z1

Parameter	Code	Description	Code	Description	Parameter	Code	Description		
FT	Flow Tube	FT 15	15 NB	FT 32	32 NB	F	MOC Of Gasket	F5	S.W.G. SS 316 With Grafoil Filler
		FT 20	20 NB	FT 40	40 NB			FY	Other
		FT 25	25 NB	FT 50	50 NB			FX	NA
A	Flange Standard	A1	ASME B 16.36	K	Orifice Plate Thickness	K1	3.18 mm		
		A2	ASME B 16.5			K2	4.0 mm		
		A3	ASME B 16.47 Series (A)			K3	6.35 mm		
		A4	ASME B 16.47 Series (B)			KY	Other		
		AY	Other			L2	CORNER		
B	Flange Rating	B1	ANSI 150#	L	Orifice Type Of Tapping	LY	Other		
		B2	ANSI 300#			LX	NA		
		B3	ANSI 600#			M	Orifice Plate Material	M1	AISI 316
		BY	Other	M2	AISI 316L				
C	Flange Material	C1	A 105 C. S.	M3	AISI 304				
		C2	A 182 GR F11	M4	AISI 304L				
		C3	A 182 GR F12	M5	Hastalloy C				
		C4	A 182 GR F22	M6	Monel				
		C5	A 182 GR F9	MY	Other				
		C6	A 182 GR F 304	N	Pipe MOC	N1	A 106 GR B		
		C7	A 182 GR F 304L			N2	A 335 - GR P11		
		C8	A 240 GR 304			N3	A 335 - GR P22		
		C9	A 240 GR 304L			N4	A 335 - GR P91		
		C10	A 182 GR F 316			N5	A 312 - TP 304		
		C11	A 182 GR F 316L			N6	A 312 - TP 316		
		CY	Other			N7	A 312 - TP 304L		
		CX	NA			N8	A 312 - TP 316L		
E	Line Schedule	E1	Schedule 5	O	Upstream Pipe Length	O1	750 mm		
		E2	Schedule 10			OY	Other		
		E3	Schedule 20	P	Downstream Pipe Length	P1	250 mm		
		E4	Schedule 30			PY	Other		
		E5	Schedule 40	Q	MOC Of Stud	Q1	ASTM A 193 GR B7		
		E6	Schedule 60			Q2	ASTM A 193 GR B8		
		E7	Schedule 80			QY	Other		
		E8	Schedule 100			QX	NA		
		E9	Schedule 120	R	MOC Of Nut	R1	ASTM A 194 2H		
		E10	Schedule 140			R2	ASTM A 194 GR 8		
		E11	Schedule 160			RY	Other		
		E12	Schedule STD			RX	NA		
		E13	Schedule XS	U	IOPA Block Material	U1	A351-CF8M		
		E14	Schedule XXS			U2	A216-WCB		
		E15	Schedule 5S			UY	Other		
		E16	Schedule 10S	V	Integral Orifice Assembly Type	V1	Integral Block		
		E17	Schedule 40S			V2	Integral Meter		
		E18	Schedule 80S			VY	Other		
		E19	Schedule Low / A Class	W	Integral Orifice Plate Type	W1	Concentric Square Edge		
		E20	Schedule Medium / B Class			W2	Eccentric		
		E21	Schedule Heavy / C Class			W3	Quarter Of Circle		
EY	Other	W4	Segmental						
F	MOC Of Gasket	F1	C.A.F.			WY	Other		
		F2	S.W.G. SS 304 With Grafoil Filler	Z	Integral Orifice Plate Assembly End Flanged Type	Z1	WNRF		
		F3	PTFE			Z2	SORF		
		F4	IS2712 GR W/3			Z3	RTJ		
						Z4	Threaded		
		ZY	Other						
		ZX	NA						

Note : • Due to our continuous product revisions, design specification and model numbers are subject to change without notice. • Accuracy defined at Lab Conditions. • For other requirement please consult factory.

ELECTRONET EQUIPMENTS PVT. LTD.

Factory Address:

Plot No. 8, (SEZ) Phase 1, Kesurdi MIDC, Khandala, Dist.- Satara Pin: 412 801, Maharashtra, India.

Registered Office:

Plot No. 84, 85, 86, Tiny Industrial Estate, Kondhwa Budruk, Pune-411 048, Maharashtra, India.



+91-20-26931476/2039



ho@eeplindia.com



+91-20-26934122



www.eeplindia.com