

FL 244

FLOW INDICATOR TOTALISER

Features

- Indication through LED Display
- Input type selectable Linear / Square Root
- Normal / Batch mode for Operation
- Averaging of Inputs for Turbulent Flow
- Programmable Low Flow Cut-Off
- Software Calibration
- Communication MODBUS RTU



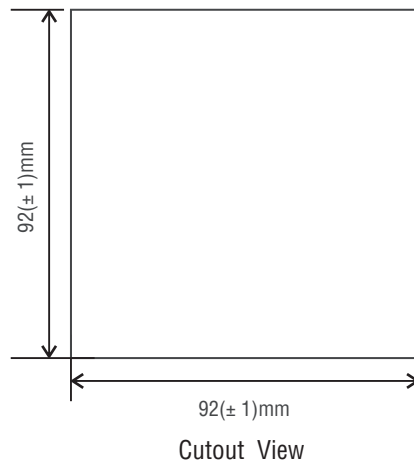
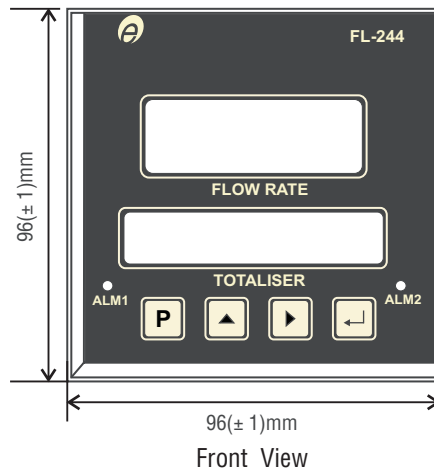
Description

Electronet series FL-244 is microcontroller based flow indicator totaliser designed for various industrial application. These can be used for indication & totalisation of flow. The input can be linearly or square rooted. The micro-controller based design provides full flexibility for flow metering applications.

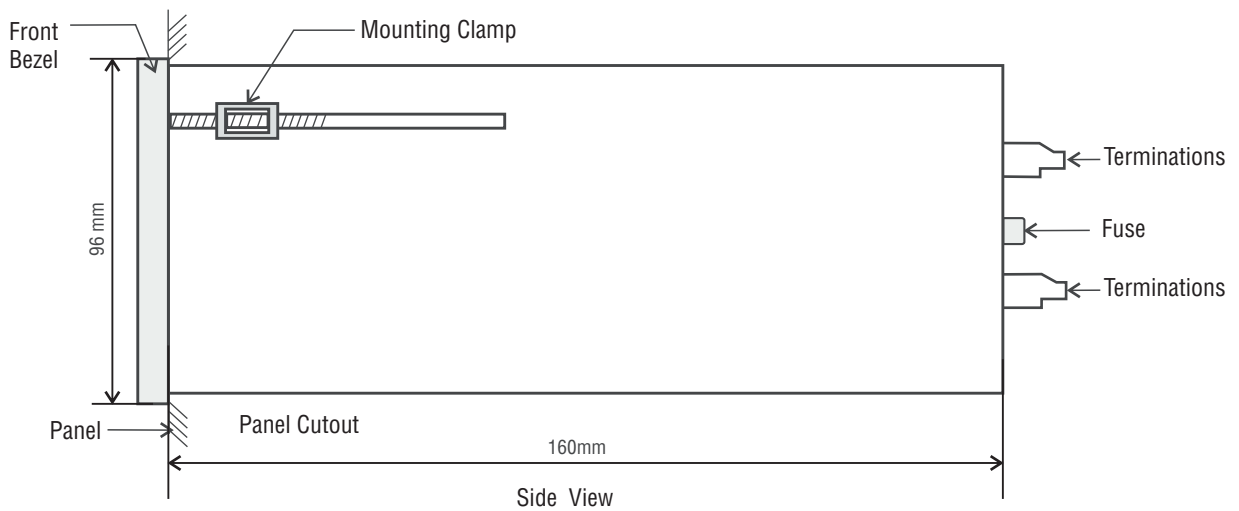
Technical Specifications

Operating Modes	Normal / Batch
Input	1) Voltage (0-5V / 1-5V) [Linear / Square Rooted]
	2) Current (4-20 mA) [Linear / Square Rooted]
	3) Frequency (0-10 KHz)
Display	LED Display for Flow Rate & Totalised Flow
Range	Programmable (0 to 9999)
Accuracy	Better than +/- 0.25% of F. S.
Open Sensor Indication	Available
Power Supply	90 - 250V AC
Power Consumption	Less than 10 VA
Temperature Drift	< 0.01% of F. S. per°C change
Response Time	< 200 mSec
Isolation	1.4 KV between Input, Output & Power Supply
Enclosure	1) DIN Standard
	2) Weather-proof, IP-65
	3) Flameproof (CMRI IIA IIB Certified)
Base Size	96 mm (H) x 96 mm (W) X 160 mm (D)
Mounting	Flush of the Panel for DIN std. enclosure & wall mounting suitable for WP enclosure
Weight	Less than 2 Kg (Approx.)
Ambient Temperature	Temperature -20 to 55°C / Humidity 5 to 95% non condensing
OPTIONAL	
Transmitter Power Supply	24V DC 100 mA
Retransmission Output	4-20mA
Alarm Output	Potential free Relay Contact - 2 Nos. (1 c/o, 1 Amp. @ 230 V AC) Configurable for High, Low & Batch
Communication Port	RS485 supporting MODBUS RTU protocol

Dimensional Details



Installation Drawing



Ordering Information

Sample Order Code :

A1	D3	G2	I1	J1	K1
----	----	----	----	----	----

Parameter	Code	Description	Parameter	Code	Description
A	Electronics Enclosure	A1	DIN Standard		
		A2	Weather Proof IP 65		
		A3	Flameproof (CMRI IIA IIB Certified)		
D	Input 1	D1	4 to 20mA		
		D3	1 to 5V		
		D4	0 to 10 KHz		
G	Output 1	G1	4 to 20 mA		
		G2	0 to 5V		
		GX	NA		
I	Relay or Alarm Output	I1	1 Relay Output		
		I2	2 Relay Outputs		
		I10	Batch		
J	Transmitter Power Supply	J1	24V DC 100 mA		
		JX	NA		
K	Communication Output 1	K1	RS485 (MODBUS RTU)		
		KX	NA		
<p>Note :</p> <ul style="list-style-type: none"> ▪ Due to our continuous product revisions, design specification and model numbers are subject to change without notice. ▪ Accuracy defined at Lab Conditions. ▪ For other requirement please consult factory. 					

Applications

Food Industry	Chemical Industry	Atomic Energy	Manufacturing Industry
Automation Industry	Thermal Power Energy	Process Industry	Water Treatment Industry

ELECTRONET EQUIPMENTS PVT. LTD.

Factory Address:

Plot No. 8, (SEZ) Phase 1, Kesurdi MIDC,
Khandala, Dist.- Satara
Pin: 412 801, Maharashtra, India.

Registered Office:

Plot No. 84, 85, 86, Tiny Industrial Estate,
Kondhwa Budruk,
Pune-411 048, Maharashtra, India.

+91-20-26931476/2039
 ho@eeplindia.com
 +91-20-26934122
 www.eeplindia.com