



DPC - 100

SINGLE INPUT PROCESS INDICATOR

Features

- ON/OFF Controller
- Single Channel
- Software Calibration
- Open Sensor Indication
- Cold Junction Compensation for thermocouple input



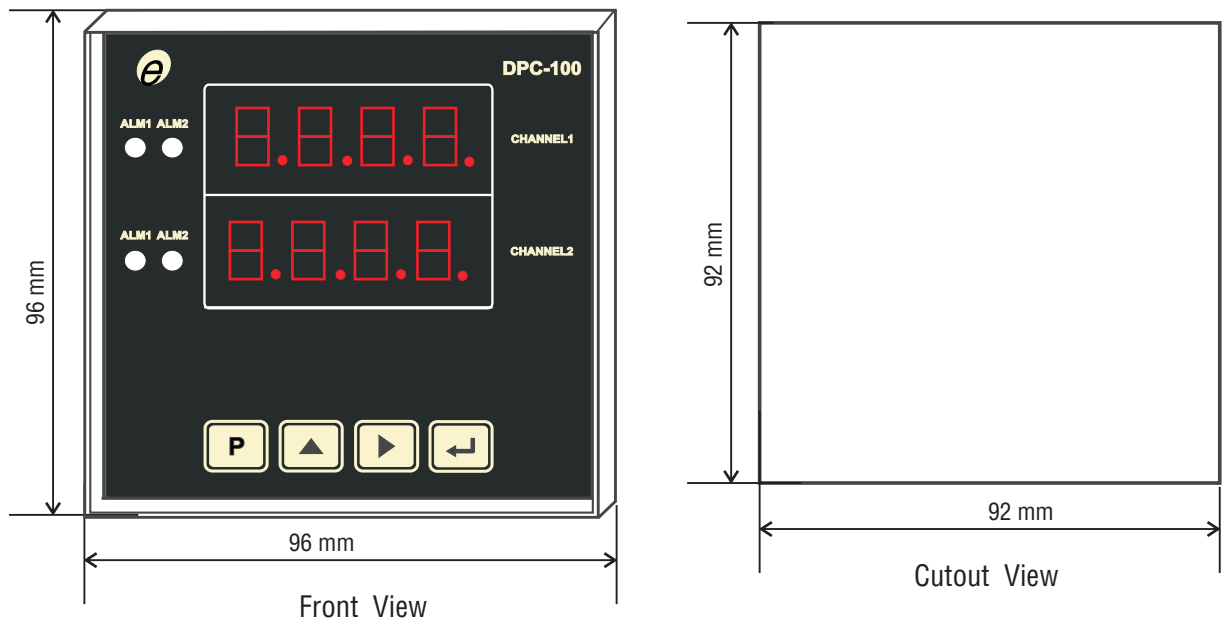
Description

Electronet Series DPC-100 is Digital Process Indicator / Controller specially designed for various industrial applications. These can be used for monitoring and controlling parameters like Temperature, Humidity, Pressure, Flow, Level etc. The measuring range and control points are able to set through the keypad on front fascia and control output is available at the rear terminals. Retransmission output & communication port are additive features of DPC-100.

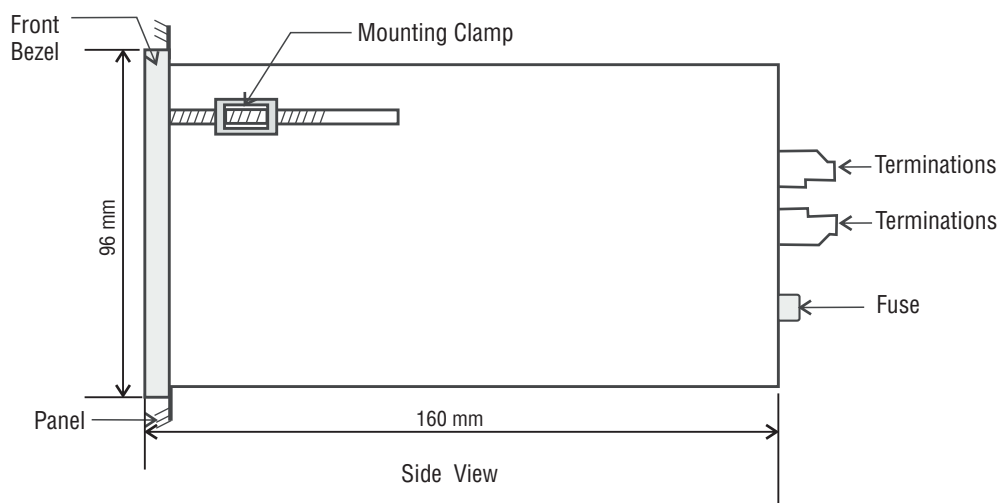
Technical Specifications

Type of Control	ON/OFF
No. of Inputs	01 No.
Input	1) RTD (PT-100 / PT-200) 2 or 3 Wire
	2) Thermocouple (J / K / R / S / T / B / E Type)
	3) Current (0-20 mA / 4-20 mA)
	4) Voltage (0-5V DC / 1-5V DC / 0 - 0.1V DC)
Display	LED Display
Range	Programmable for mA & Voltage (-999V to +9999V)
Accuracy	1) For R, S & B type Thermocouple, better than $\pm 0.5\%$ of F. S.
	2) For rest inputs, better than $\pm 0.25\%$ of F. S.
Open Sensor Indication	'OPEN' on display for RTD & Thermocouple input
Power Supply	90 - 250V AC
Power Consumption	< 10VA
Temperature Drift	< 0.01% of F. S. per $^{\circ}\text{C}$ change
Response Time	< 200 mSec
Isolation	1.4 KV between Input, Output & Power Supply
MOC Electronics Enclosure	1) DIN Standard
	2) Weather Proof IP 66
	3) Flameproof (CMRI IIA IIB Certified)
Bazel Size	96 (H) x 96 (W) x 160 (D) in mm approx. for DIN STD. Enclosure
Mounting	Flush of the Panel for DIN STD & Wall mount for WP / FLP Enclosure
Weight	Less than 1 Kg (Approx.)
Ambient Temperature	Temperature -20 to 55 $^{\circ}\text{C}$ / Humidity 5 to 95% non condensing
OPTIONAL	
Transmitter Power Supply	24V DC 30 mA, 24V DC 100 mA
Retransmission Output	4 - 20 mA / 0 - 5V, Isolated
Alarm Output	Potential Free Relay Contact - 4 Nos. (1 c/o, 1A @ 230V AC)
	Individual Configuration for high, low
Communication Port	RS485 supporting MODBUS RTU protocol

Dimensional Details



Installation Drawing



Ordering Information

Sample Order Code :

A1	C1	D2	G1	I3	J2	K1
----	----	----	----	----	----	----

Parameter	Code	Description	Parameter	Code	Description
A	Electronics Enclosure	A1	DIN Standard		
		A2	Weather Proof IP 65		
		A3	Flameproof (CMRI IIA IIB Certified)		
C	Power Supply	C1	90 to 250 VAC		
		CY	Other		
D	Input 1	D1	4 to 20mA		
		D2	0 to 5V		
		D3	1 to 5V		
		D5	RTD		
		D6	Thermocouple		
		D7	Current customized (consult factory)		
		D8	Voltage customized (consult factory)		
		DY	Other		
G	Output 1	G1	4 to 20 mA		
		G2	0 to 5V		
		GX	NA		
I	Relay or Alarm Output	I1	1 Relay Output		
		I2	2 Relay Outputs		
		I3	3 Relay Outputs		
		I4	4 Relay Outputs		
		I5	5 Relay Outputs		
		I6	6 Relay Outputs		
		IX	NA		
J	Transmitter Power Supply	J1	24 V DC 100 mA		
		J2	24 V DC, 30 mA		
		JX	NA		
K	Communication Output 1	K1	RS485 (MODBUS RTU)		
		KX	NA		
<p>Note :</p> <ul style="list-style-type: none"> ▪ Due to our continuous product revisions, design specification and model numbers are subject to change without notice. ▪ Accuracy defined at Lab Conditions. ▪ For other requirement please consult factory. 					

Applications

Food Industry	Chemical Industry	Atomic Energy	Manufacturing Industry
Automation Industry	Thermal Power Energy	Process Industry	Water Treatment Industry

ELECTRONET EQUIPMENTS PVT. LTD.

Factory Address:

Plot No. 8, (SEZ) Phase 1, Kesurdi MIDC,
Khandala, Dist.- Satara
Pin: 412 801, Maharashtra, India.

Registered Office:

Plot No. 84, 85, 86, Tiny Industrial Estate,
Kondhwa Budruk,
Pune-411 048, Maharashtra, India.



+91-20-26931476/2039



ho@eeplindia.com



+91-20-26934122



www.eeplindia.com