



## TT - 01

### HEAD / RAIL MOUNT TEMPERATURE TRANSMITTER

#### Features

- On-line measurement
- 2 wire system
- 4-20 mA DC output
- Head Mount Transmitter
- Compensation for ambient temperature enhances transmitter performance

#### Description

**E**lectronet series TT-01 are head mount type temperature transmitters used for various industrial applications. It can accept input from RTD, all types of thermocouples & temperature signal is transmitted in the form of electrical 4 – 20 mA signal. Span / Zero adjustments are easily accessible. These transmitters are suitable for any make of sensor.

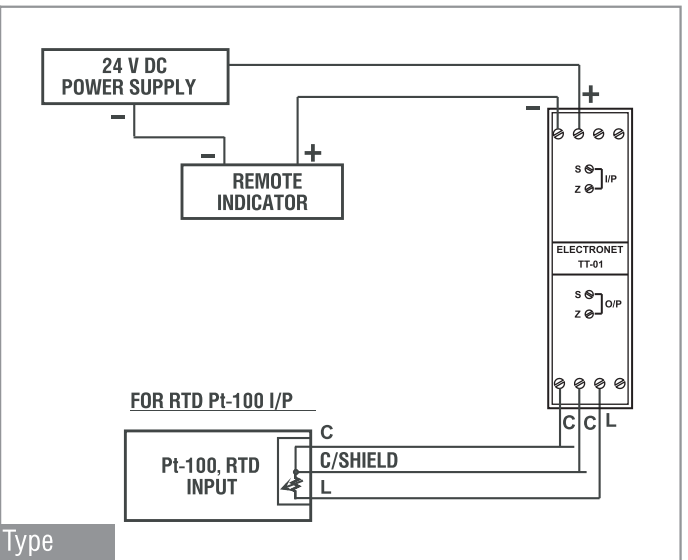
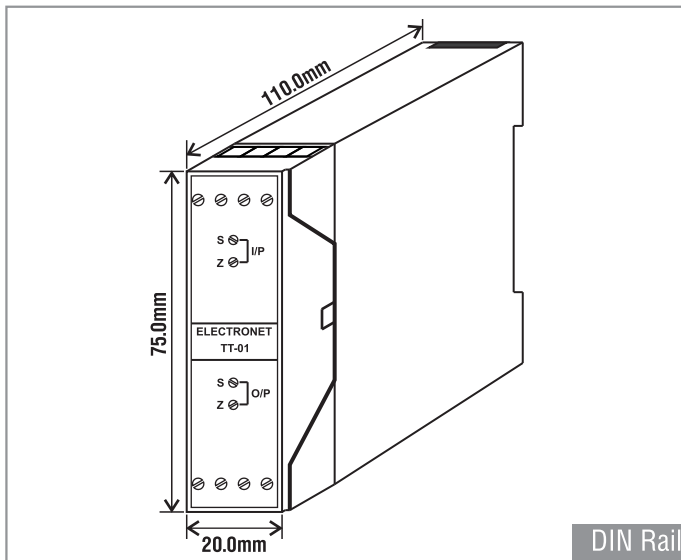
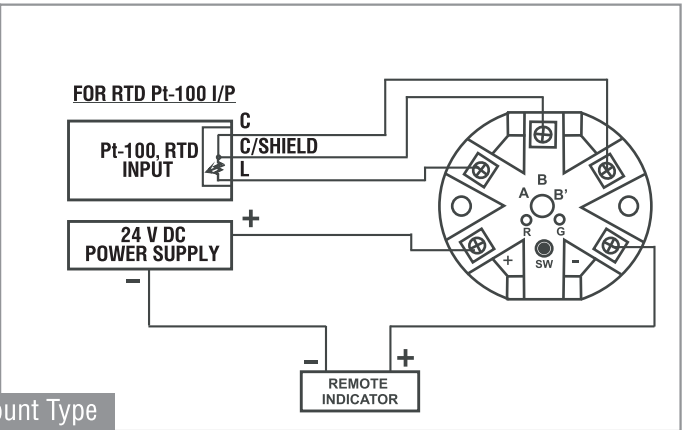
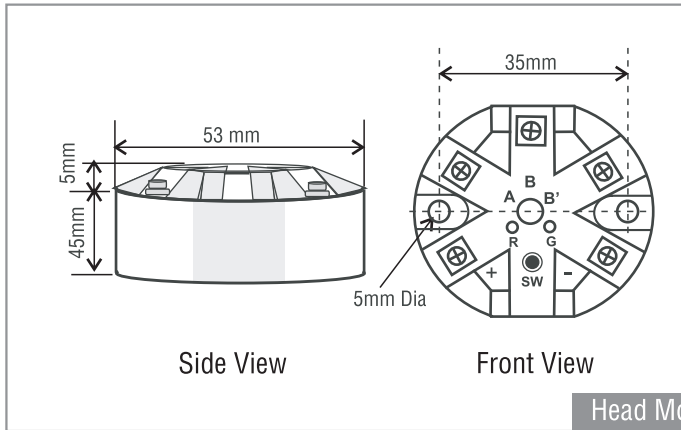


#### Technical Specifications

Type of Input	1) RTD (PT-100 / PT-200) 2 or 3 Wire 2) Thermocouple (J / K Type)
Output	4 – 20 mA DC, 2 Wire Non-Isolated
Calibration Range	Factory Calibrated
Accuracy	+/- 0.25% of F. S.
Power Supply	24 V DC
Power Consumption	< 40 mW
Response Time	< 500 mSec
Temperature Coefficient	+/- 0.01% per °C
Electronics Enclosure	ABS Plastic
Dimensions	30 mm (H) x 45 mm (Dia)
Mounting	DIN Rail / Head Mount
Weight	250 gms
Operating Conditions	Temperature -20 to 75 °C / Humidity 5 to 95% non condensing

Assembly Overview

Loop Diagram



Ordering Information

42 77A 77B 96

Parameter	Code	Value
42 Type of Input	42A	RTD
	42B	Thermocouple
77A RTD Sensor Type	77AA	PT - 100
	77AB	PT - 200

Parameter	Code	Value
77B Thermocouple Sensor Type	77BC	J
	77BD	K
96 Transmitter Mounting Type	96A	Din Rail
	96B	Head Mount

**Note :** \*Due to our continuous product revisions, design specification and model numbers are subject to change without notice.  
 \*Accuracy defined at Lab Conditions.  
 \*For other requirement please consult factory.

ELECTRONET EQUIPMENTS PVT. LTD.

Factory Address:

Plot No. 8, (SEZ) Phase 1, Kesurdi MIDC, Khandala, Dist. - Satara Pin: 412 801, Maharashtra, India.

Registered Office:

Plot No. 84, 85, 86, Tiny Industrial Estate, Kondhwa Budruk, Pune-411 048, Maharashtra, India.

USA Office:

IntelliComponents, Inc. 710 Dacula Rd., Ste 4A-200, Atlanta, GA 30019

+91-20-26931476/2039 ho@eeplindia.com +91-20-26934122

(678)-720-3030 info@intellcomponentsinc.com