



LPI-016-8

LOOP POWERED INDICATOR

- Features**
- Loop Powered
 - 4 to 20 mA Input
 - Local Display LCD with backlit
 - IP-67 , Die Cast Aluminum Housing
 - 0.1% Accuracy
 - Voltage Drop Across Loop 3.6 V



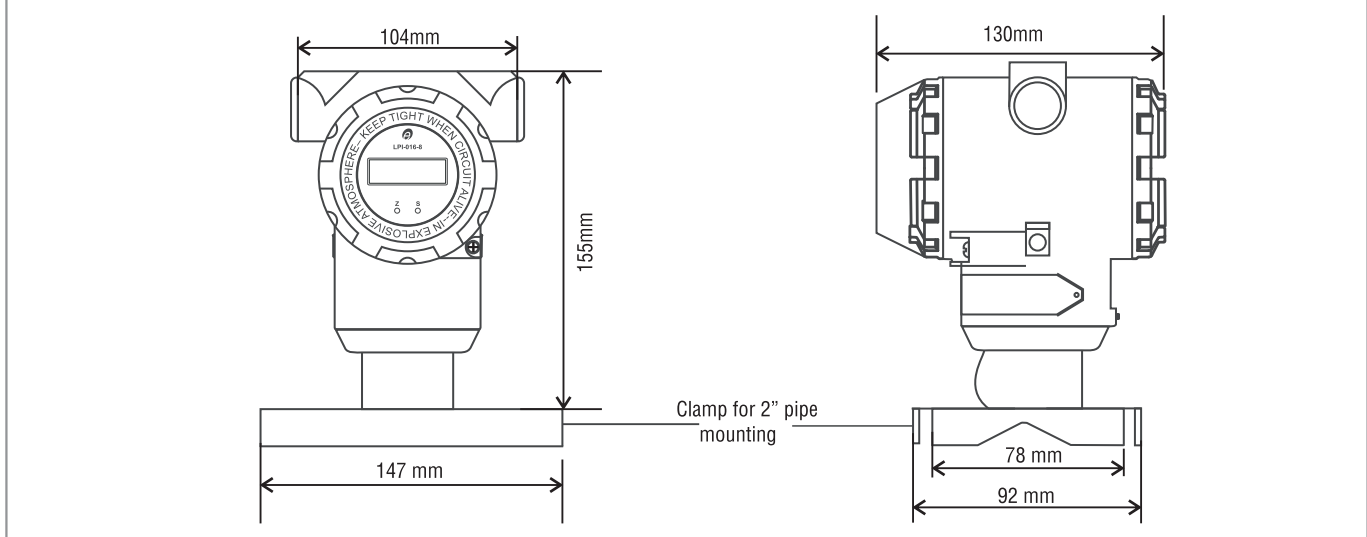
Description

Electronet series LPI-016-8 is an Loop Powered digital Indicator specially designed for various industrial applications where external power supply is not easily available. These indicators can be used for monitoring various parameters like Temperature, Pressure, Flow, Level etc with the help of 4-20mA input. The digital indication is provided through 8x1LCD display Range is programmable through front membrane keypad. The voltage drop across the terminals is approximately 3.6 V DC @ 20 mA.

Technical Specifications

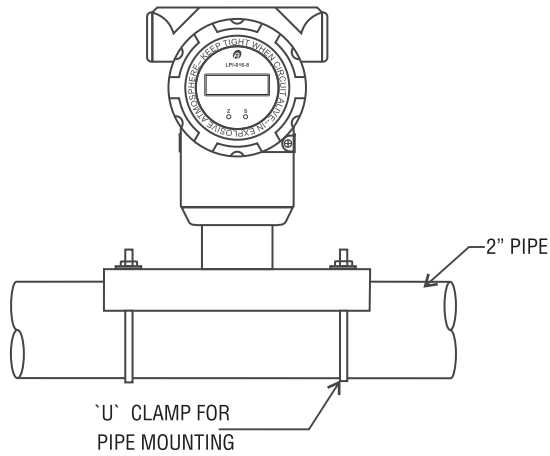
Input	4-20 mA DC
Display	LCD Display
Range	Programmable through front membrane keypad from -999 to 9999
Accuracy	Better than $\pm 0.1\%$ of F. S.
Power Supply	Self powered from input
Drop Voltage	Approx. 3.6 V DC @ 20 mA
Temperature Drift	< 0.01% of F. S. per °C change
Response Time	< 100 mSec
Enclosure	IP-67, Die Cast Aluminum Housing
Dimensions	155 (H) x 104 (W) x 130 (D) in mm approx.
Mounting	Pipe Mount & Wall Mount
Weight	1 kg (Approx.)
Operating Conditions	Temperature -20 to 55 °C / Humidity 5 to 95% non condensing

Dimensional Details

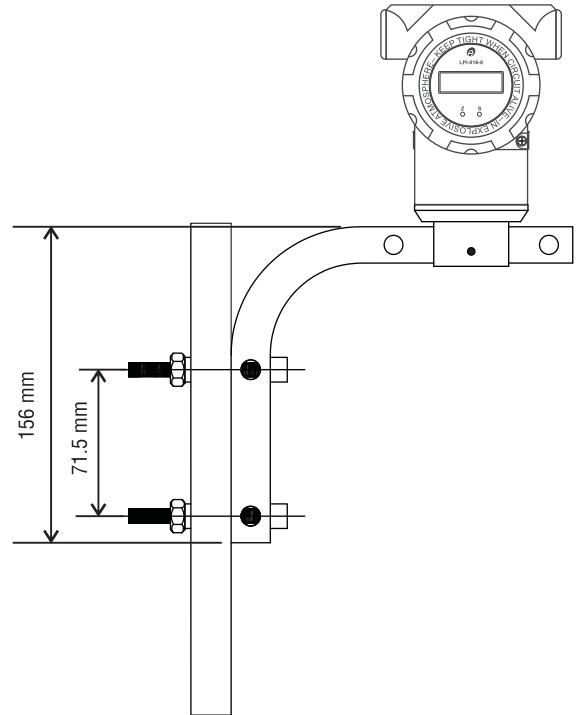


Dimensional Details

Pipe Mounting



Panel Mounting



Ordering Information

Parameter	Code	Value
28 Bazel Size	28C	96mm (H) x 96mm (W)
	28E	72mm (H) x 144mm (W)
29 Electronics Enclosure	29A	DIN
	29B	Weather Proof
	29C	Flame Proof

28	29
----	----

Note :

- Due to our continuous product revisions, design specification and model numbers are subject to change without notice.
- Accuracy defined at Lab Conditions.
- For other requirement please consult factory.

Applications

Food Industry	Chemical Industry	Atomic Energy	Manufacturing Industry
Automation Industry	Thermal Power Energy	Process Industry	Water Treatment Industry

ELECTRONET EQUIPMENTS PVT. LTD.

Factory Address:

Plot No. 8, (SEZ) Phase 1, Kesurdi MIDC,
Khandala, Dist.- Satara
Pin: 412 801, Maharashtra, India.

Registered Office:

Plot No. 84, 85, 86, Tiny Industrial Estate,
Kondhwa Budruk,
Pune-411 048, Maharashtra, India.

+91-20-26931476/2039
 ho@eeplindia.com
 +91-20-26934122
 www.eeplindia.com