

LMT - 01

MAGNETIC FLOAT OPERATED LEVEL TRANSMITTER

Features

- Simple, Low Cost and Reliable
- Trouble free operation of conductive / non conductive Liquids, slurries
- Continuous 4–20mA DC output
- Protection class IP–65
- 2 Wire System

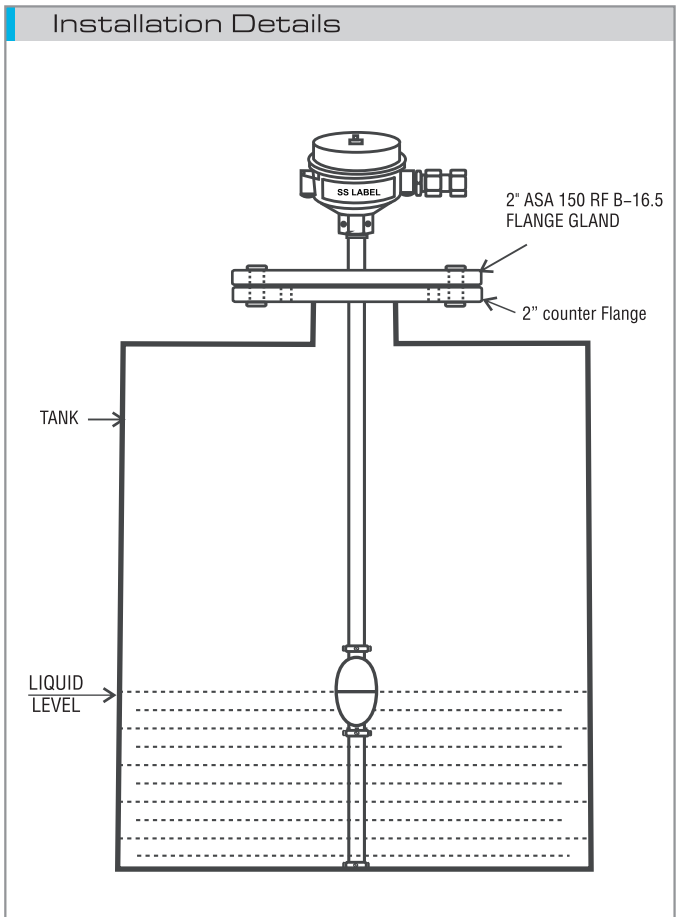
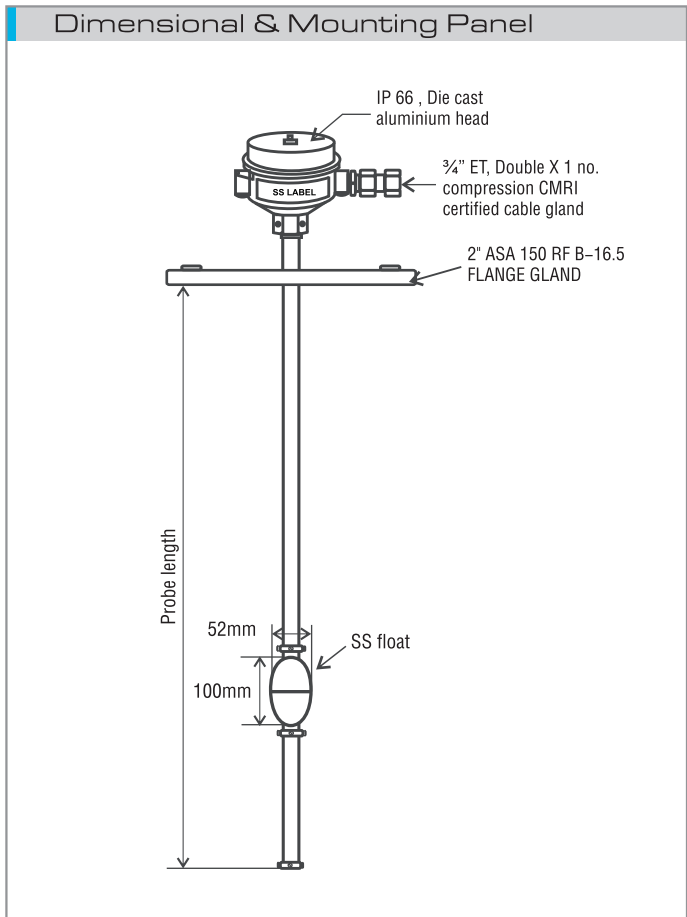
Description

Electronet series LMT–01 are magnetic float operated level transmitters. The inbuilt level sensor is consisting of a float & guide tube made of non–magnetic material to achieve undisturbed magnetic flux. The float has magnetic system within it & moves along the guide tube which contains glass encapsulated hermitically sealed reed switches. Float follows level & magnetically actuates reed switches & provides continuous 4 – 20 mA DC output.



Technical Specifications

Probe Length	As per requirement (max 2 mtr.)
Type of Output	4 to 20 mA DC, 2 Wire
Accuracy	+/- 10 mm
Linearity	+/- 0.5% for probe length 3 mtr.
Process Temperature	55°C max
Process Pressure	10 kg/cm ² max
Probe MOC	1) SS 316 2) PTFE
Float MOC	SS / PP (Depending on Process Fluid – Factory selected)
Float Dimensions	Dia 54 mm, Height 106 mm
Power Supply	230V AC, 24V DC
Power Consumption	< 6 VA
Response Time	< 1000 mSec
Temperature Coefficient	+/- 0.1% per °C
Transmitter Enclosure	IP–65
Process Connections	1) 2” BSP Threaded 2) 2” ASA 150, Flanged 3) Other on request
Mounting	Top of the tank
Operating Conditions	Temperature 0 to 75°C / Humidity 5 to 95% non condensing at 25°C
OPTIONAL	
Local Display	8 x 1 LCD (4 digit)
NOTE : Process temperature and pressure exceeding specified limits, kindly consult with factory.	



Ordering Information

- 02
07
21
22
24
26
27
49
66
85

Parameter		Code	Value	Parameter		Code	Value
02	Measuring Range	02A	300 mm	24	Power Supply	24A	90 – 250 VAC
		02B	1000 mm			24B	24 VDC
		02C	2000 mm	26	Local Indication	26A	Required
		02D	3000 mm			26Y	None
07	Area Classification	07A	Weather Proof	27	Local Indication Display Type	27A	LED
		07B	Flame Proof			27B	LCD
21	Electrical Connection	21A	M20 X 1.5	49	Output	49A	4 to 20 mA
		21B	1/2" NPTF			49B	4 to 20 mA with HART
		21X	Other			49C	1 to 5V
22	MOC Electronics Enclosure	22A	Die Cast Aluminium	66	Process Connection	66A	Threaded
		22B	SS316			66B	Flanged
		22C	ABS Plastic			66E	Tri Clover
85	MOC Probe	85A	SS316	85	MOC Probe	85A	SS316
		85X	Other			85X	Other

Note : • Due to our continuous product revisions, design specification and model numbers are subject to change without notice.
 • Accuracy defined at Lab Conditions. • For other requirement please consult factory.

ELECTRONET EQUIPMENTS PVT. LTD.

Factory Address:

Plot No. 8, (SEZ) Phase 1, Kesurdi MIDC,
 Khandala, Dist.- Satara
 Pin: 412 801, Maharashtra, India.

Registered Office:

Plot No. 84, 85, 86, Tiny Industrial Estate,
 Kondhwa Budruk,
 Pune-411 048, Maharashtra, India.

USA Office:

IntelliComponents, Inc.
 710 Dacula Rd., Ste 4A-200,
 Atlanta, GA 30019

☎ +91-20-26931476/2039 ✉ ho@eeplindia.com 🖨 +91-20-26934122

☎ (678)-720-3030 ✉ info@intellcomponentsinc.com