



## LMS - 02

### FLOAT OPERATED LEVEL SWITCH

#### Features

- Simple, Low Cost and Reliable
- Trouble free operation of conductive / non conductive Liquids, slurries
- Switch output potential free Relay Contact
- Protection class IP-65

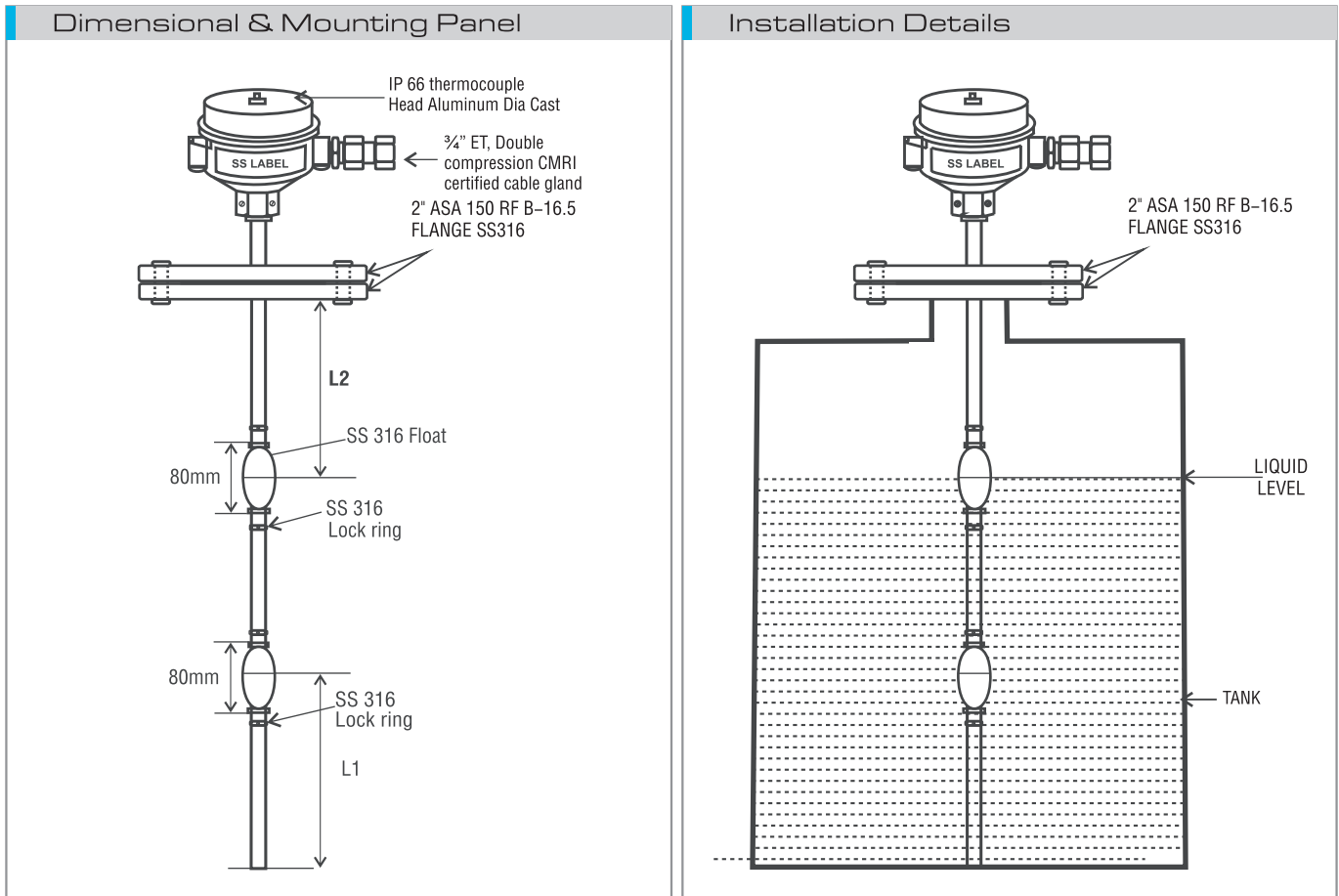
#### Description

**E**lectronet series LMS-02 are magnetic float operated level switches. The inbuilt level sensor is consisting of a float & guide tube made of non-magnetic material to achieve undisturbed magnetic flux. The float has magnetic system within it & moves along the guide tube which contains glass encapsulated hermitically sealed reed switches. Float follows level & magnetically actuates reed switches & provides switching output at desired preset level.



#### Technical Specifications

|  |  |
|--|--|
| Probe Length   | As per requirement (max 3000mm)                                    |
| Probe Dia  | ID 21 mm, OD 25 mm   |
| Accuracy   | +/- 2% F. S.   |
| Process Temperature  | 100°C max  |
| Process Pressure   | 10 kg/cm <sup>2</sup> max  |
| Probe MOC  | SS 316   |
| Type of Output   | Potential free Relay Contact – 1 no.                               |
| Contact Rating   | 1 c/o, 1 Amp.  |
| Power Supply   | 1) 24 V DC<br>2) 230 V AC, 50 Hz                                   |
| Power Consumption  | < 6 VA   |
| Response Time  | < 1000 mSec  |
| Temperature Coefficient  | +/- 0.01% per °C   |
| Transmitter Enclosure  | IP-65  |
| Process Connection   | 1) 1" BSP Threaded Male 2) 1" ASA 150, Flanged 3) Other on request |
| Mounting   | Top of the tank  |
| Operating Conditions   | Temperature 0 to 75°C / Humidity 5 to 95% non condensing at 25°C   |
| NOTE : Process temperature and pressure exceeding specified limits, kindly consult with factory. |  |



Ordering Information

- 02
- 07
- 21
- 22
- 24
- 56
- 66
- 85

| Parameter                    | Code | Value              |
|------------------------------|------|--------------------|
| 02 Measuring Range           | 02A  | 300 mm             |
|                              | 02B  | 1000 mm            |
|                              | 02C  | 2000 mm            |
|                              | 02D  | 3000 mm            |
| 07 Area Classification       | 07A  | Weather Proof      |
|                              | 07B  | Flame Proof        |
| 21 Electrical Connection     | 21A  | M20 X 1.5          |
|                              | 21B  | 1/2" NPTF          |
|                              | 21X  | Other              |
| 22 MOC Electronics Enclosure | 22A  | Die Cast Aluminium |
|                              | 22B  | SS316              |
|                              | 22C  | ABS Plastic        |

| Parameter                | Code | Value        |
|--------------------------|------|--------------|
| 24 Power Supply          | 24A  | 90 – 250 VAC |
|                          | 24B  | 24 VDC       |
| 56 Switch Contact Output | 56A  | 1 Alarm      |
|                          | 56B  | 2 Alarm      |
|                          | 56C  | 3 Alarm      |
| 66 Process Connection    | 66A  | Threaded     |
|                          | 66B  | Flanged      |
|                          | 66E  | Tri Clover   |
| 85 MOC Probe             | 85A  | SS316        |
|                          | 85X  | Other        |

**Note :** • Due to our continuous product revisions, design specification and model numbers are subject to change without notice.  
 • Accuracy defined at Lab Conditions. • For other requirement please consult factory.

**ELECTRONET EQUIPMENTS PVT. LTD.**

**Factory Address:**

Plot No. 8, (SEZ) Phase 1, Kesurdi MIDC, Khandala, Dist.- Satara Pin: 412 801, Maharashtra, India.

**Registered Office:**

Plot No. 84, 85, 86, Tiny Industrial Estate, Kondhwa Budruk, Pune-411 048, Maharashtra, India.

**USA Office:**

IntelliComponents, Inc. 710 Dacula Rd., Ste 4A-200, Atlanta, GA 30019

+91-20-26931476/2039 ho@eeplindia.com +91-20-26934122

(678)-720-3030 info@intellcomponentsinc.com