



LCS - 02

CAPACITANCE LEVEL SWITCH

Features

- Switch output potential free Relay Contact
- Simple, Low Cost & Reliable
- Protection class IP-65
- Trouble free operation of conductive / non conductive Liquids, slurries

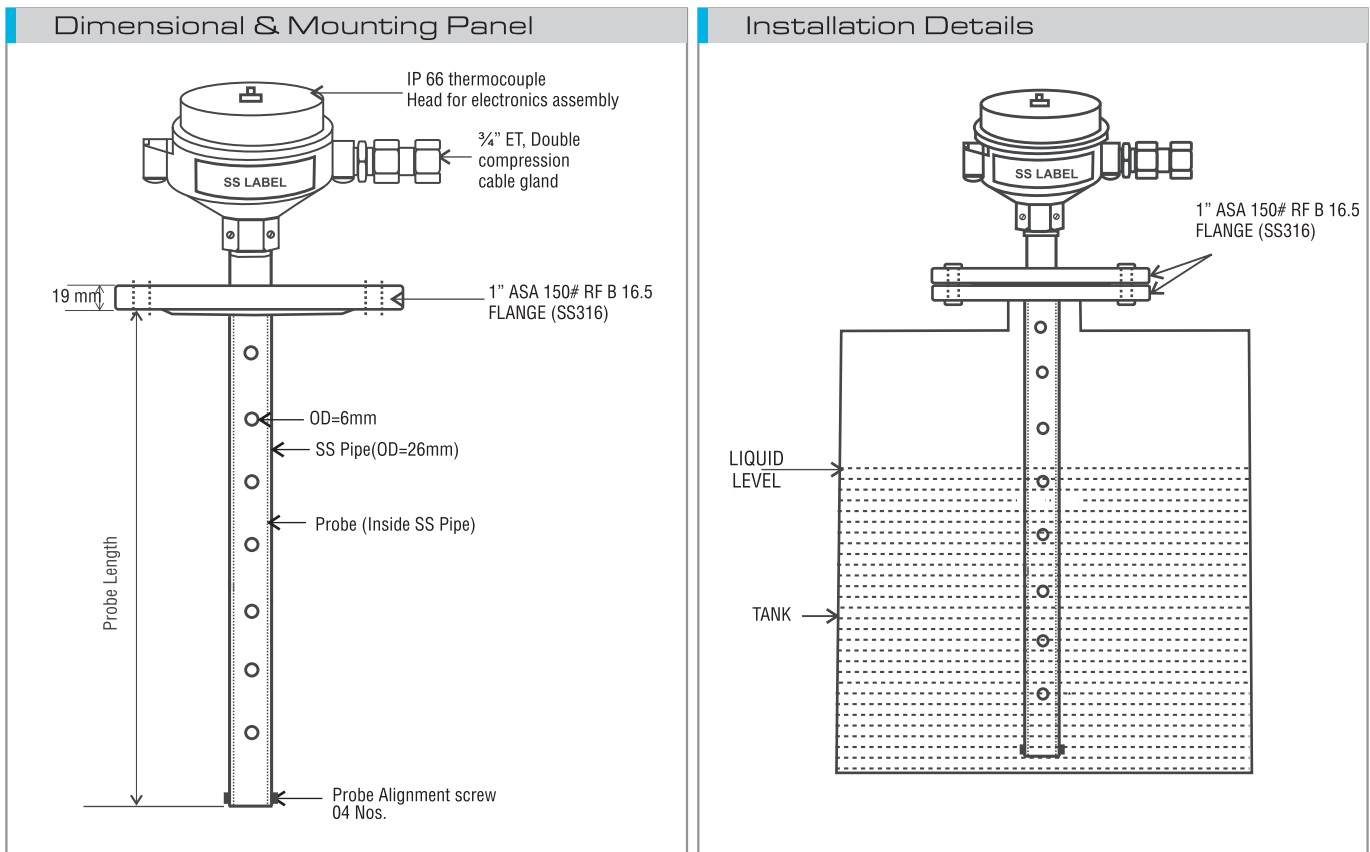
Description

Electronet series LCS-02 are capacitance type level switch. Vessel wall & probe forms two electrodes. If vessel is of non conductive material, the probe will be double rod type. The distance between electrode & surface area of electrodes remain unchanged. The variable is the depth of the material being measured which represents the dielectric constant between two electrodes. Air & vacuum have relative dielectric constant as 1 & that of liquids, it is greater than 1. The capacitance of the capacitor therefore depends on how much material lies between the probe & vessel wall i.e. Whether the probe is covered with or free from material. The capacitor changes with change in level of the material & provides switching output at desired preset level.



Technical Specifications

Probe Length	As per requirement (max 3000mm)
Probe Dia	ID 21 mm, OD 25 mm
Accuracy	+/- 2% F. S.
Process Temperature	100°C max
Process Pressure	10 kg/cm ² max
Probe MOC	SS316
Type of Output	Potential free Relay Contact – 1 no.
Switch Contact Output	1 Alarm
Contact Rating	1 c/o, 1 Amp.
Power Supply	1) 24 V DC 2) 230 V AC, 50 Hz
Power Consumption	< 6 VA
Response Time	< 1 Sec.
Temperature Coefficient	+/- 0.01% per °C
Transmitter Enclosure	IP-65
Process Connection	1) 1" BSP Threaded Male 2) 1" ASA 150, Flanged 3) Other on request
Mounting	Top of the tank
Operating Conditions	Temperature 0 to 75°C / Humidity 5 to 95% non condensing at 25°C
NOTE : Process conditions other than above please consult factory	



Ordering Information

02 07 21 22 24 66 84

Parameter	Code	Value
02 Measuring Range	02A	300 mm
	02B	1000 mm
07 Area Classification	07A	Weather Proof
	07B	Flame Proof
21 Electrical Connection	21A	M20 X 1.5
	21B	1/2" NPTF
	21X	Other
22 MOC Electronics Enclosure	22A	Die Cast Aluminium
	22B	SS316
	22C	ABS Plastic

Parameter	Code	Value
24 Power Supply	24A	90 – 250 VAC
	24B	24 VDC
66 Process Connection	66A	Threaded
	66B	Flanged
	66E	Tri Clover
84 Probe Type	84A	Single Rod
	84B	Coaxial

Note : • Due to our continuous product revisions, design specification and model numbers are subject to change without notice.
 • Accuracy defined at Lab Conditions. • For other requirement please consult factory.

Applications

Food Industry	Chemical Industry	Atomic Energy	Manufacturing Industry
Automation Industry	Thermal Power Energy	Process Industry	Water Treatment Industry

ELECTRONET EQUIPMENTS PVT. LTD.

Factory Address:

Plot No. 8, (SEZ) Phase 1, Kesurdi MIDC, Khandala, Dist.- Satara Pin: 412 801, Maharashtra, India.

Registered Office:

Plot No. 84, 85, 86, Tiny Industrial Estate, Kondhwa Budruk, Pune-411 048, Maharashtra, India.

+91-20-26931476/2039 ho@eeplindia.com +91-20-26934122 www.eeplindia.com