



CS - 001

CONDUCTIVITY SENSOR

Features

- System Accuracy @ 2% F. S.
- Measure conductivity of dissolved solids in water
- Available with 10 / 1 / 0.1 / 0.01 Cell Constants
- In-built Auto Temperature compensation through PT-100 RTD sensor upto 150°C
- Flow through assembly in SS 316
- Suitable for online conductivity measurement
- A Robust Two-electrode Design
- Minimize Start-up and Installation Time
- A factory-measured cell constant ensures out-of-the-box accuracy and no initial calibration requirements



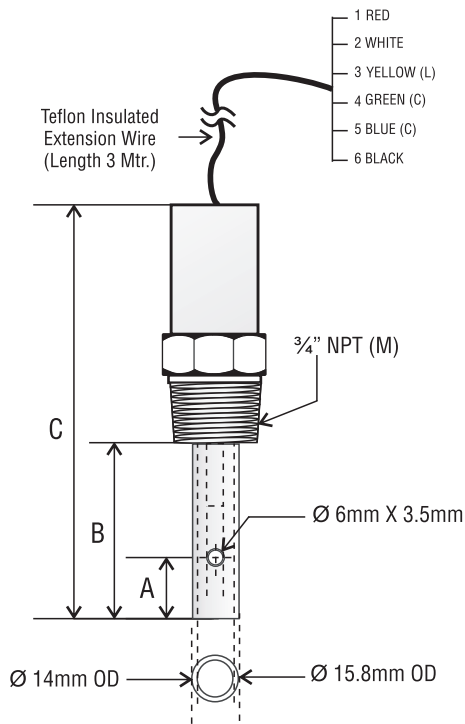
Description

Electronet series CS-001 are Conductivity Sensors designed for fast, easy and trouble free start up. These are ideal for measuring the concentration of dissolved solids in water. They are provided with an accurate pre-determined factory calibration constants. Rugged design and corrosion resistant material keep electrode spacing and surface area constant so cell constant remain stable for long period. Durability of material and high resistance to corrosion ensures the long life and require low maintenance.

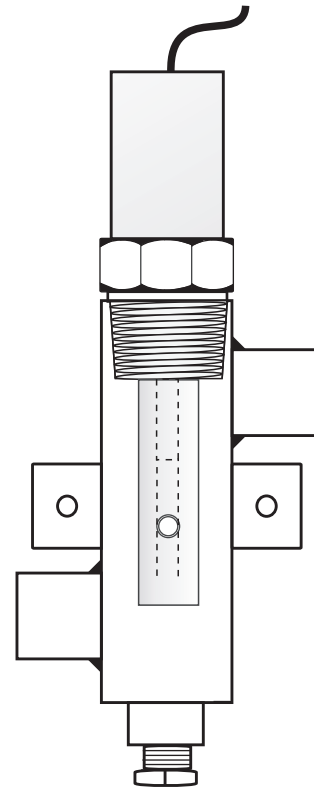
Technical Specifications

Cell Constant	10 / 1 / 0.1 / 0.01
Measuring Range	1) 0 to 100 μ S/cm for cell constant 0.01 2) 0 to 1000 μ S/cm for cell constant 0.1 3) 0 to 10000 μ S/cm for cell constant 1
Accuracy	+/- 2% F. S.
Temperature Range	0 to 150 °C
Maximum Pressure	10 kg/cm ²
Probe MOC	SS316L
Process Connection	1) 3/4" NPT Threaded 2) 1" ASA 150 Flanged (Other on request) 3) 1" Tri-clover
Insertion Length	1) 50 mm for cell constant 0.01 2) 27.5 mm for cell constant 0.1 3) 28 mm for cell constant 1
Mounting	Insertion (Screw-in)
Standard Cable Length	3 Meters
Weight	0.5 kg
ACCESSORIES (Optional)	
Temperature Compensation Sensor	RTD, PT 100 (0-100 °C)
Flow Through Assembly	SS 316
Auto Cleaning System	SS 316

Dimensional Drawing



Installation Drawing



Dimensional Table

Sensor Configuration	A		B		C	
	Inch	mm	Inch	mm	Inch	mm
0.01/cm	1.59	40.39	1.98	50.34	4.52	114.8
0.1/cm	0.687	17.45	1.11	28.15	3.65	92.71
1.0/cm	0.667	16.94	1.13	28.70	3.67	93.22

Ordering Information

Sample Order Code : 25A-66N-80B

Parameter	Code	Value	Parameter	Code	Value
25 Temperature Compensation	25A	RTD	80 Cell Constant	80A	0.01
	25X	Other		80B	0.1
66 Process Connection	66M	3/4" NPT Threaded		80C	1
	66N	1" ASA 150 Flanged		80D	10
	66O	1" Tri Clover			
	66X	Other			

Note : • Due to our continuous product revisions, design specification and model numbers are subject to change without notice.
 • Accuracy defined at Lab Conditions.
 • For other requirement please consult factory.

ELECTRONET EQUIPMENTS PVT. LTD.

Factory Address:

Plot No. 8, (SEZ) Phase 1, Kesurdi MIDC, Khandala, Dist.- Satara Pin: 412 801, Maharashtra, India.

Registered Office:

Plot No. 84, 85, 86, Tiny Industrial Estate, Kondhwa Budruk, Pune-411 048, Maharashtra, India.

+91-20-26931476/2039 ho@eeplindia.com +91-20-26934122 www.eeplindia.com